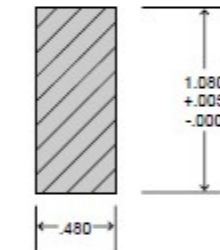
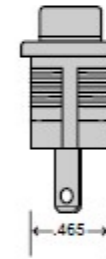
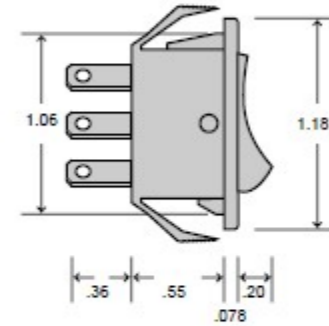


CRSP Series Non-lighted Single-pole Rocker Switches

Distributed by: Sinergy LLC www.sinergy-us.com



Panel Cut Out
Panel Thickness 1/32" - 3/16"

Circuit	Switching			
1	SPST Maintained			
2	SPDT Maintained			
3	SPDT Maintained Center Off			
4	SPST (Momentary) Normally Open			
5	SPDT (Momentary) Normally Closed			
6	SPDT (Momentary) Transfer			
7	SPDT Maintained Center Off (Momentary)			
8	SPDT (Momentary) Center Off (Momentary)			

Approvals

UL recognized, CSA certified. Load rating: 20A 125/250 VAC. 1 HP, 125/250 VAC. 14A 14VDC, VDE approval 15A. Dielectric strength: 1250 volts (live parts to ground). Life: 35,000 operations at maximum rating. Insulation resistance: 5 megohms.

Low Level Control

For low level/dry circuit applications (<100 ma) contact factory for part number (Gold plated contacts).

High Inrush

125 Amp inrush capability (AgNi contacts).

Terminals

Style A - 1/4-inch quick-connect with fine silver contacts (gold plating available).

Mechanical Features

100,000 mechanical operations

Markings

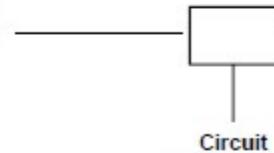
Letters, numbers and symbols can be applied to rocker actuator or to integral nylon bezel; see inside back cover for details.

Mounting

Snap-in type panel mounting for ease of installation without additional mounting hardware.

Ordering Information:

CRSP



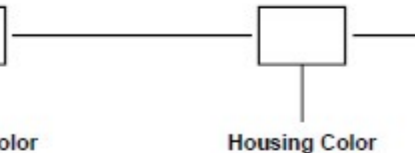
- 1-SPST Maintained
- 2-SPDT Maintained
- 3-SPDT Maintained Center Off
- 4-SPST (Momentary) Normally Open
- 5-SPST (Momentary) Normally Closed
- 6-SPDT (Momentary) Transfer
- 7-SPDT Maintained Center Off (Momentary)
- 8-SPDT (Momentary) Center Off (Momentary)



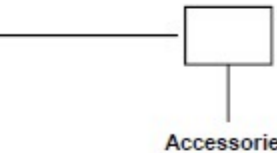
- A-Fine Silver (Normal Duty)
- G-Gold Plated Contacts
- H-High Inrush Contacts



- 7-White
- 9-Black
- 12-Red



- M9-Matte Black
(For other colors contact factory)



- T-Boot