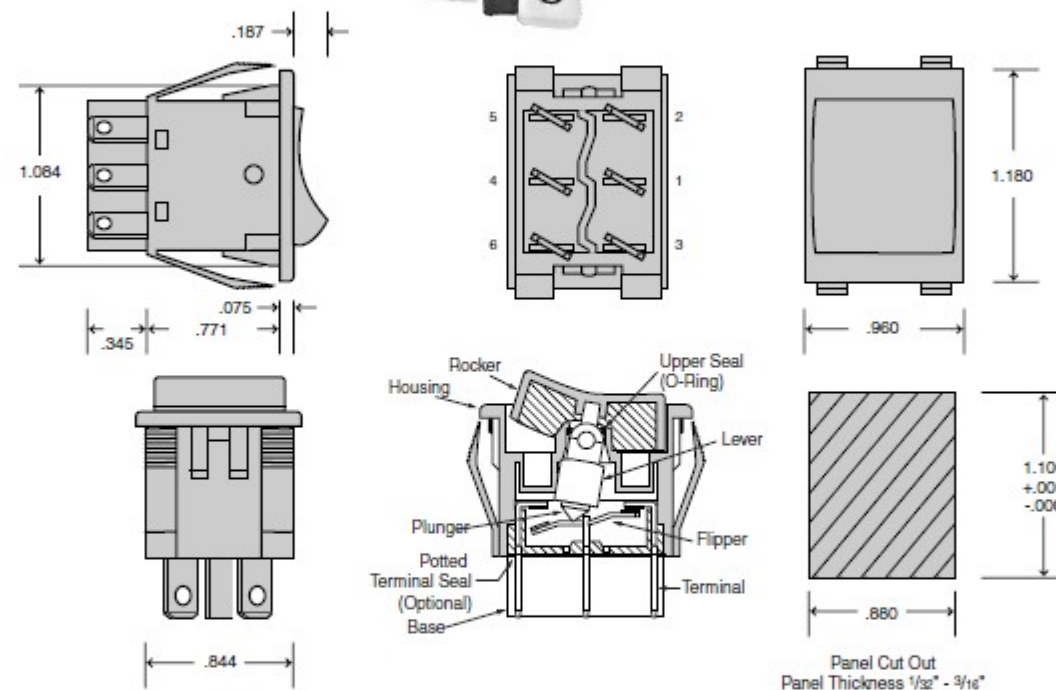


WRTP Series Weatherproof Double-pole Rocker Switches



Circuit	Switching	
11	DPST Maintained	
22	DPDT Maintained	
33	DPDT Maintained Center Off	
44	DPST (Momentary) Normally Open	
55	DPDT (Momentary) Normally Closed	
66	DPDT (Momentary) Transfer	
77	DPDT Maintained Center Off (Momentary)	
88	DPDT (Momentary) Center Off (Momentary)	

Approvals
 UL recognized; CSA approved; VDE approval pending.
 Load rating: 20A 125/250 VAC. 3/4 HP, 125/250 VAC. 14A 14VDC. Contacts: fine silver for long life dependability.
 Dielectric strength: 1250 volts (live parts to ground).
 Life: 35,000 operations at maximum rating.
 Insulation resistance: 5 megohms.

Water & Dust Resistance
 Designed to meet IP-64.

High Inrush
 125 Amp inrush capability (AgNi contacts).

Low Level Control
 For low level/dry circuit applications (<100 am) contact factory for part number.

Terminals
 Style A - 1/4-inch quick-connect

Mechanical Features
 100,000 mechanical operations

Markings
 Letters, numbers and symbols can be applied to rocker actuator or to integral nylon bezel; see inside back cover for details.

Mounting
 Snap-in type panel mounting for ease of installation without additional mounting hardware.

Lighted Types
 Please inquire.

Ordering Information:

WRTP

