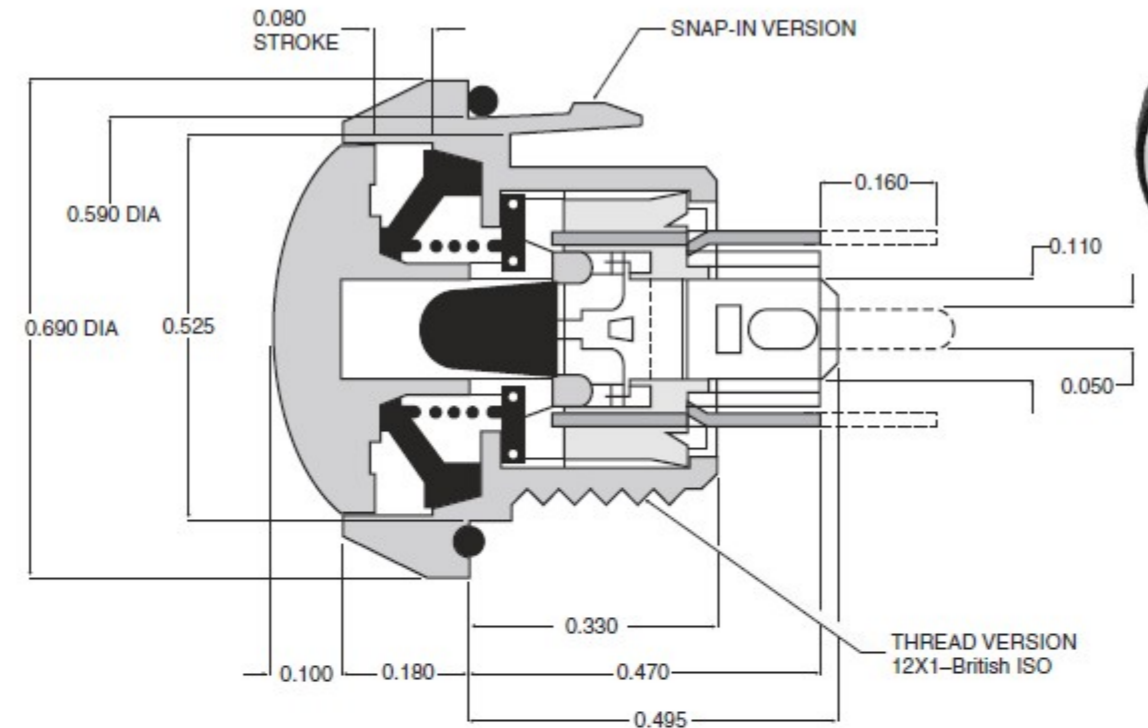


# Series L Sealed Pushbutton Switches



## Suitable for applications in harsh environments including:

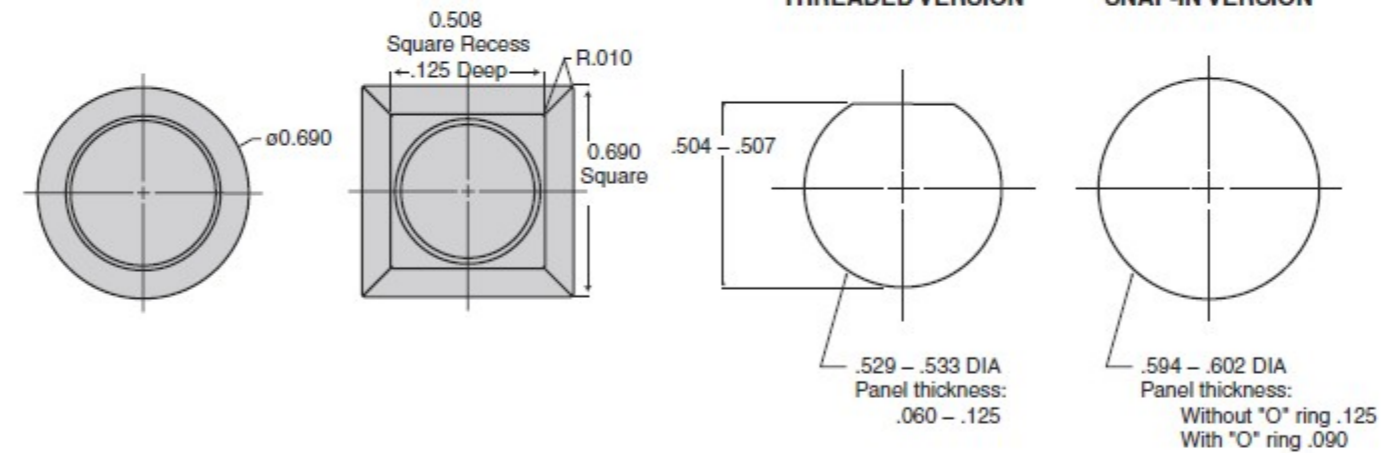
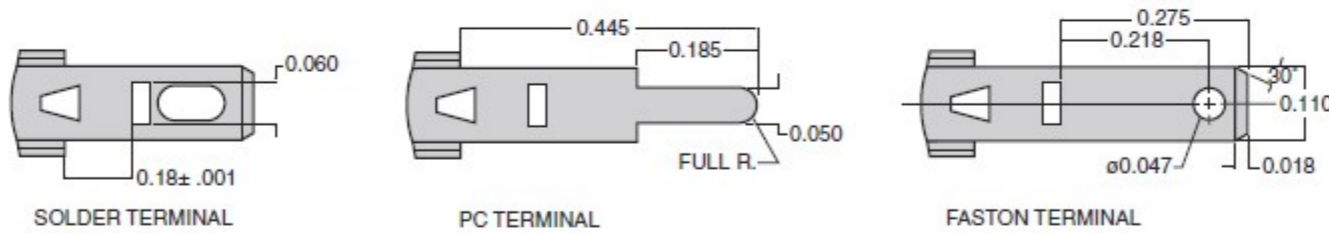
- Food Service
- HVAC
- Industrial
- Light Construction
- Marine
- Medical
- Transportation

### Features

- Panel sealer IP65 (front panel)
- Square or round bezels
- Illuminated or non-illuminated
- Momentary action
- Thermoplastic case
- Threaded or snap-in cases

### Specifications

Travel (nominal)	.....	.08 in/2.0mm
Life (max)	.....	1,000,000 cycles
Operating Force (nominal):	...	3N/306g
Contact Bounce (nominal):	...	1 ms
LED	.....	T-1
Dielectric Strength	.....	1,000 VAC
Insulation Resistance	.....	1GW
Contact Resistance	.....	50mW



## Ordering Procedure

