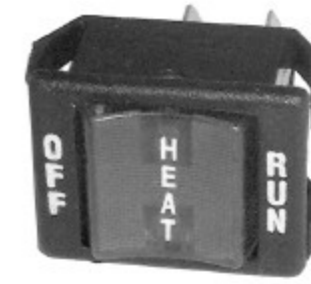


# 3-Position Progressive Rocker Switches



### Approvals

UL recognized, CSA certified. Load rating: 20A, 125/250 VAC. 20 amperes 125/250 VAC. 3/4 HP, 125/250 VAC. 14A VDC. VDE approval 15A. Dielectric strength: 1250 volts (live parts to ground). Life: 35,000 operations at maximum rating. Insulation resistance: 5 megohms.

### Low Level Control

For low level/dry circuit applications (<100 am) contact factory for part number (Gold plated contacts).

### Terminals

Style A - 1/4-inch quick-connect with fine silver contacts (gold plating available).

### Mechanical Features

100,000 mechanical operations

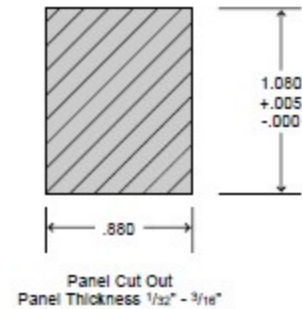
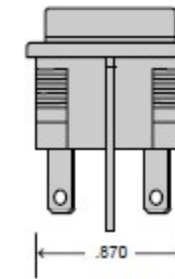
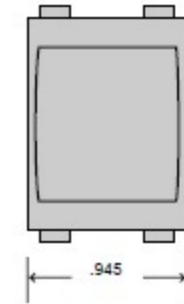
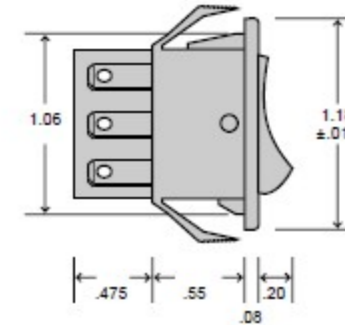
### Markings

Letters, numbers and symbols can be applied to rocker actuator or to integral nylon bezel; see inside back cover for details.

### Mounting

Snap-in type panel mounting for ease of installation without additional mounting hardware.

Circuit	Switching	
NON-LIGHTED		
331	Progressive single pole switch with three independent "on" positions. Terminal Connections (with external jumper wired by user)	<p>1 and 3    1 and 6    1 and 5</p>
771	2 Pole 1-Pole Maintained  1 Pole (Momentary)	
888	Reversing double pole switch with internal jumpers	
LIGHTED		
330	Progressive single pole switch with three independent "on" positions. Terminal Connections	



### Ordering Information:

