

RA Miniature Rocker Switches



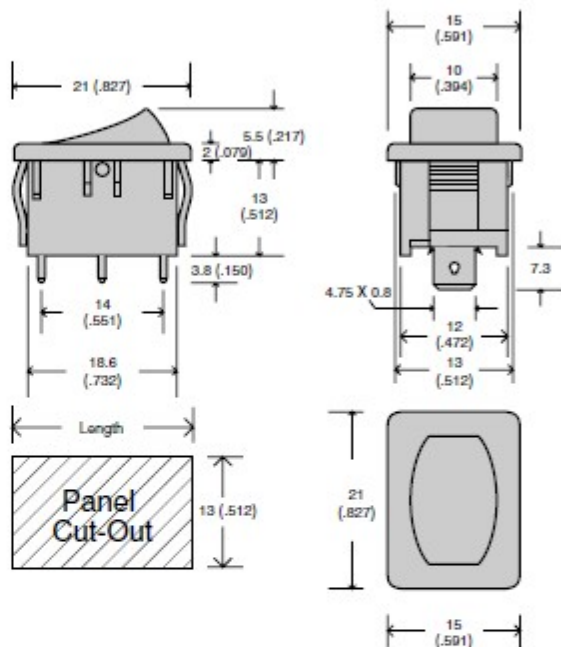
Features

- Snap-in mounting
- Choice of terminals
- approvals available
- Maintained or momentary

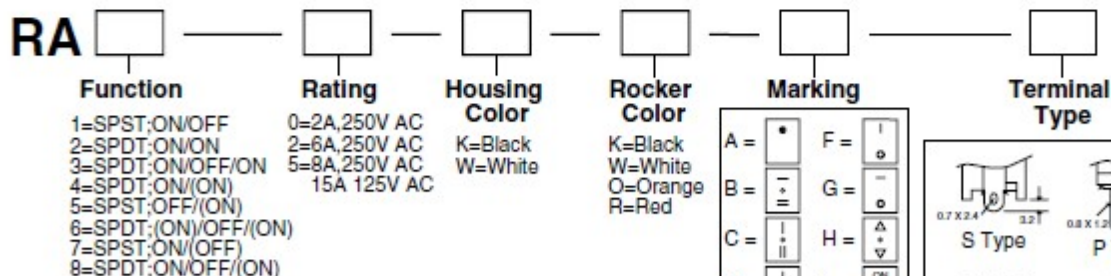
Specifications

- Rating 6A 250V AC
- Mechanical Life 15,000 Cycles
- Electrical Life 10,000 Cycles
- Contact Resistance 20mΩ max.
- Insulation Resistance 1,000MΩ min.
- Dielectric Strength 1,500V AC for 1 Minute
3,000V AC between poles

Panel Thickness (mm)	Length (mm)
0.7 ~ 1.25	19.0 + 0.2
1.26 ~ 2.0	19.3 + 0.2
2.1 ~ 3	19.6 + 0.2



Ordering Information:



- Notes: 1. Function #3,6 & 8 are available with S Type Terminal only.
2. Rating available for functions 1 & 2 only.



3. Mounting hole diagram for P & R Type Terminals.