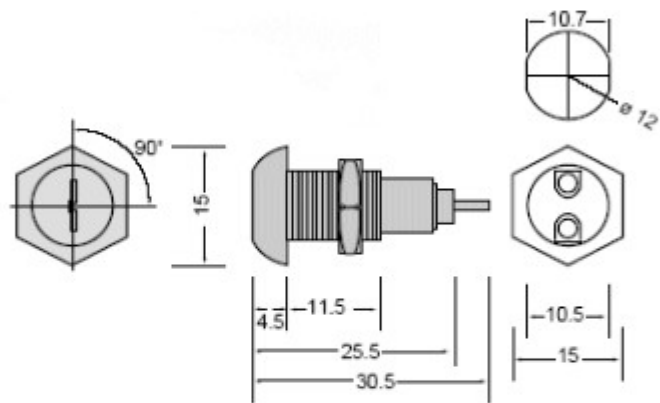


**Features:**

Zinc alloy die cast housing and cylinder
 5-disk tumblers mechanism
 Reversible double cut key. Brass Made. Nickel plated.
 With dust shutter
 Silver plated terminals and contacts
 S246 2 positions (off-on). 2 terminals (off-on-type).
 Used for alarms, security systems, garages, etc.
 150 combinations available

**Contact Rating:**

4A 125VAC, 2A 250VAC

Contact Resistance:

10 Milli-Ohms Max



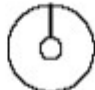
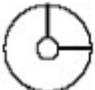
Insulation Resistance:

500 Meg-Ohms Min (500 VDC)

Dielectric Strength:

1500 VAC - 1 Minute

Ordering Information

Figure No.	Lock Number	Pole	Positions	Terminals	Key Pulls	Turn			Type		
2	S109B-2	1	2	2	2	90°	Off	On	SPST	Figure 1	Figure 2