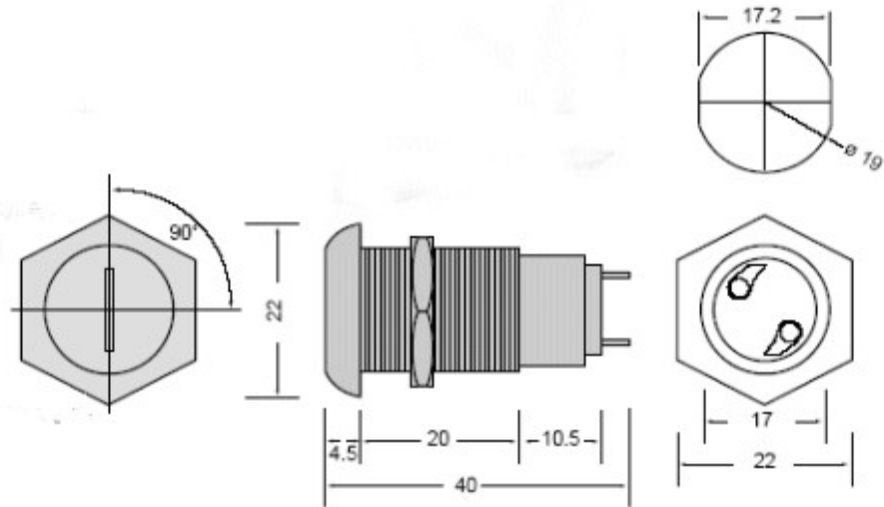




**Features:**  
 Zinc alloy die cast housing and cylinder  
 5-disk tumblers mechanism  
 Reversible double cut key. Brass Made. Nickel plated.  
 With dust shutter  
 Silver plated terminals and contacts  
**S246** 2 positions (off-on). 2 terminals (off-on-type).  
 Used for alarms, security systems, garages, etc.  
 150 combinations available

<b>Contact Rating:</b>	4A 125VAC, 2A 250VAC
<b>Contact Resistance:</b>	10 Milli-Ohms Max
<b>Insulation Resistance:</b>	500 Meg-Ohms Min (500 VDC)
<b>Dielectric Strength:</b>	1500 VAC - 1 Minute



**Ordering Information**

Figure No.	Lock Number	Pole	Positions	Terminals	Key Pulls	Turn			Type	  Figure 1    Figure 2
1	<b>S246-1</b>	1	2	2	1	90°	Off	On	SPST	
2	<b>S246-2</b>	1	2	2	2	90°	Off	On	SPST	
1	<b>S246M</b>	1	2	2	1	90°	Off	On	SPST	