

S-Series Pushbutton Switches

Distributed by: Sinergy LLC www.sinergy-us.com

Series S Pushbutton switches are designed for snap-in panel mounting.

Approvals 

UL recognized, CSA certified, VDE approved. Load rating: 10A 125/250 VAC, 1/4 HP, 125 VAC; 10A 14VDC. Contacts: fine silver, double break. Circuits: single-pole and double-pole. Dielectric strength: 2000 VAC RMS. Life: 25,000 operations at maximum rating.

Low Level Control

For low level/dry circuit applications (<100 ma) contact factory for part number.

Terminals/Contacts

1/4" quick-connect, 3/16" quick-connect and solder lug for #12 wire. Fine silver contacts (gold plating available).

Mechanical Features

Positive mechanical indication of switch contact position. 100,000 mechanical operations.

Lamps

Integral with switch; internally connected per diagram. 6, 12 and 28 volt incandescent lamps standard. 125 and 250 volt neon lamps standard.

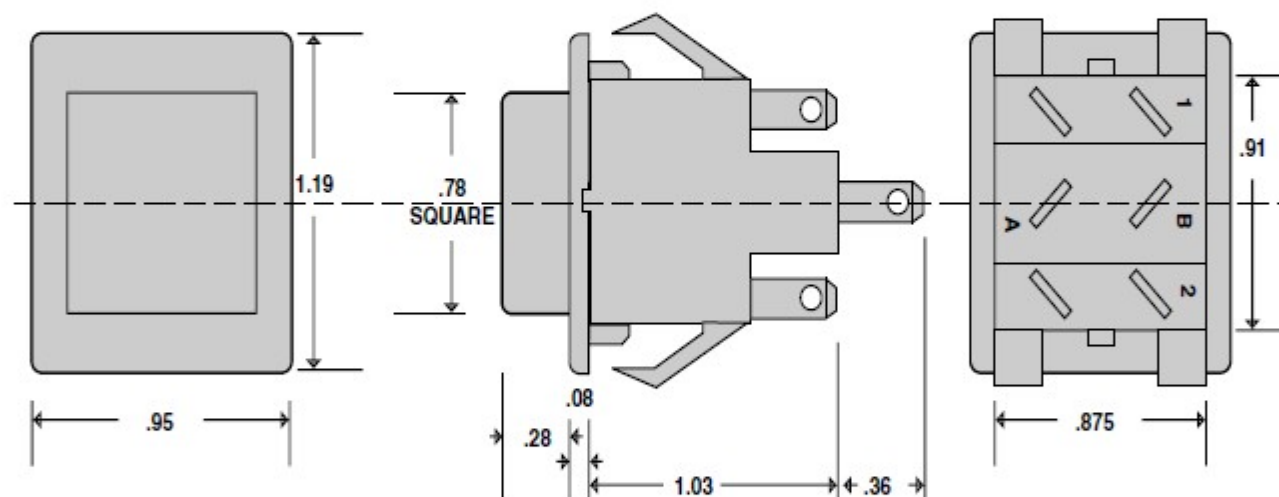
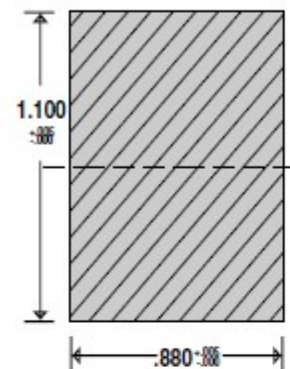
Special Lamps

Green neon 125 and 250 volt lamps. LED 6 and 12 volt. Consult factory for special requirements.

Markings

Letters, numbers and symbols can be engraved, hot-stamped or pad printed on lens cap; mylar inserts are also available. See back cover gatefold for details.

Circuit	Switching	Circuit Diagram (Lighted)	Circuit Diagram (Non-Lighted)
1	Single-Pole Single-Throw Normally Open		
2	Single-pole Single-throw Normally Closed		
3	Double-Pole Single-Throw Normally Open		
4	Double-pole Single-throw Normally Closed		
5	Double-Pole Circuit #1 Normally Open Circuit #2 Normally Closed		
6	Single-Pole Single-Throw Normally Open		N/A
7	Double-Pole Single-Throw Normally Open		N/A
G	Indicator Light Only		N/A



Ordering Information:

S



Lighting

L=Lighted
P=Non-Lighted
G=Indicator Light



Action

M=Momentary
A=Alternating
T= Indicator Light
Short Stroke Available****



Circuit

1=SPST, Normally Open
2=SPST, Normally Closed
3=DPST, Normally Open
4=DPST, Normally Closed
5=DPST, Normally 1 Circuit Open, 1 Closed
6*=SPST, Normally Open
7*=DPST, Normally Open
G=Indicator Light



Terminal

A=1/4" Quick Connect
B=3/16" Quick Connect
C=Solder Connect



Lamp or LED Voltage*

6V=6 Volt Incandescent
12V=12 Volt Incandescent
28V=28 Volt Incandescent
125V= 125 Volt Neon
250V=250 Volt Neon
125VG=125 Volt Green Neon
250VG=250 Volt Green Neon
6VR=6 Volt Red LED
6VG=6 Volt Green LED
12VR=12 Volt Red LED
12VG=12 Volt Green LED



Cap Style

D**=Beveled
Blank=Square Edged



Lens Cap Color

TRANSPARENT COLORS

1=Red
2=Clear
3=Amber
4=Green***
5=Blue***

OPAQUE COLORS

7=White
9=Black
11=Green
12=Red



Housing Color

Matte Finish
M9=Black
(For other colors contact factory)



Accessories (Optional)

B=Protective Barrier
T=Boot
CD=Clear Diffuser

* Lighted models only

** Available only with transparent colors.

***Green & Blue lenses require non-standard neon lamps for units with neon lamps.

****Momentary, normally open circuits only. Consult Factory.