

WRSP Series Weatherproof Single-pole Rocker Switches

Distributed by: Sinergy LLC www.sinergy-us.com



Approvals

UL recognized. CSA and VDE approvals pending.
 Load rating: 20A 125/250 VAC. 3/4 HP, 125/250 VAC. 14A 14VDC. Contacts: fine silver for long life dependability.
 Dielectric strength: 1250 volts (live parts to ground).
 Life: 35,000 operations at maximum rating.
 Insulation resistance: 5 megohms.

Water & Dust Resistance

Designed to meet IP-64.

High Inrush

125 Amp inrush capability (AgNi contacts).

Low Level Control

For low level/dry circuit applications (<100 am) contact factory for part number.

Terminals

Style A - 1/4-inch quick-connect

Mechanical Features

100,000 mechanical operations

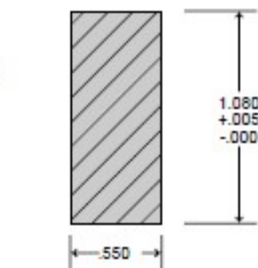
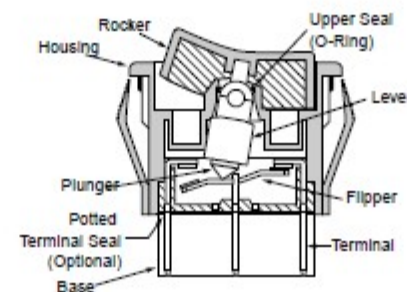
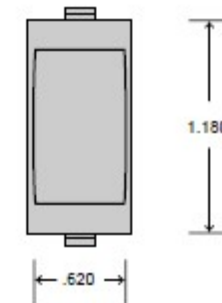
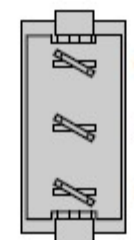
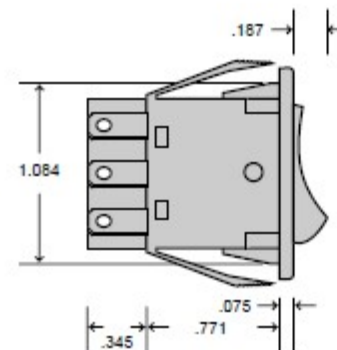
Markings

Letters, numbers and symbols can be applied to rocker actuator or to integral nylon bezel; see inside back cover for details.

Mounting

Snap-in type panel mounting for ease of installation without additional mounting hardware.

Circuit	Switching	
1	SPST Maintained	
2	SPDT Maintained	
3	SPDT Maintained Center Off	
4	SPST (Momentary) Normally Open	
5	SPDT (Momentary) Normally Closed	
6	SPDT (Momentary) Transfer	
7	SPDT Maintained Center Off (Momentary)	
8	SPDT (Momentary) Center Off (Momentary)	



Panel Cut Out
 Panel Thickness 1/32" - 3/16"

Ordering Information:

WRSP



Circuit

- 1-SPST Maintained
- 2-SPDT Maintained
- 3-SPDT Maintained Center Off
- 4-SPST (Momentary) Normally Open
- 5-SPST (Momentary) Normally Closed
- 6-SPDT (Momentary) Transfer
- 7-SPDT Maintained Center Off (Momentary)
- 8-SPDT (Momentary) Center Off (Momentary)



Terminal Option

- A-Fine Silver (Normal Duty)
- G-Gold Plated Contacts
- H-High Inrush Contacts



Actuator Color

- 7-White
- 9-Black
- 11-Green (non-stock)
- 12-Red



Housing Color

- M9-Matte Black
- (For other colors contact factory)



Accessories (Optional)

- T-Boot
- E-Epoxy Seal
- G-Panel Gasket